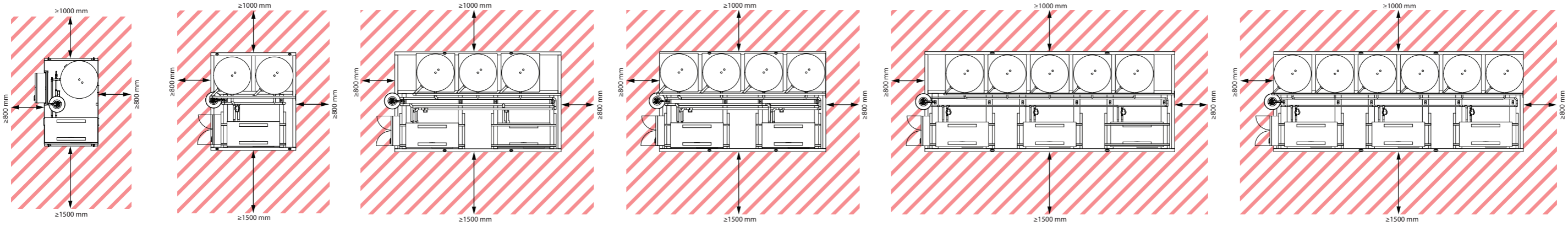
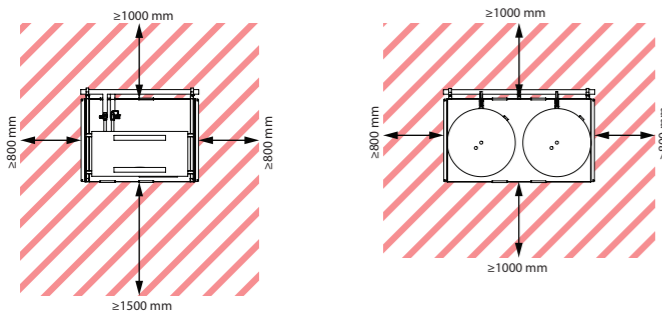


Commercial Hot Water Clearances

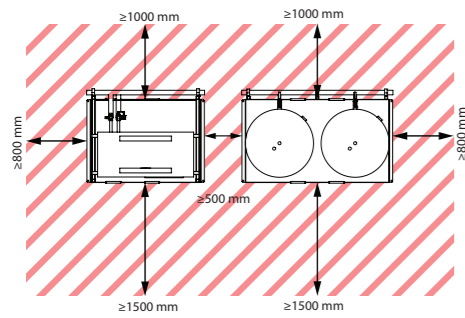
Full Skid:



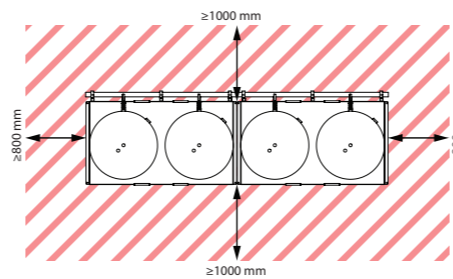
Combi Skid:



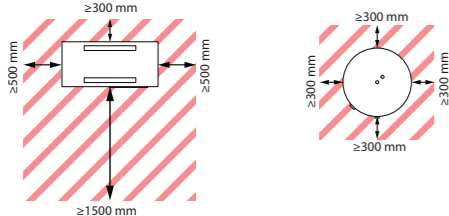
- For instances where a heat pump skid is to be installed adjacent to another skid (heat pump or tank), the clearance may be reduced to a minimum of 500mm.



- For instances where two tank skids are to be installed adjacent to each other, the clearance can be disregarded (ie. skids butted up against each other).

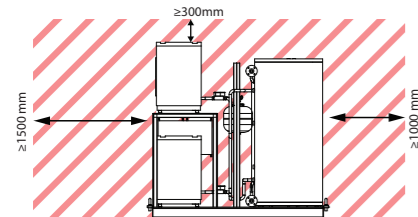


Flex:



Vertical Clearances:

≥300mm from the top of tanks and/or HPs.



*Clearances required for serviceability and system performance.

*If minimum clearances can not be adhered to contact Stiebel Eltron for more information.